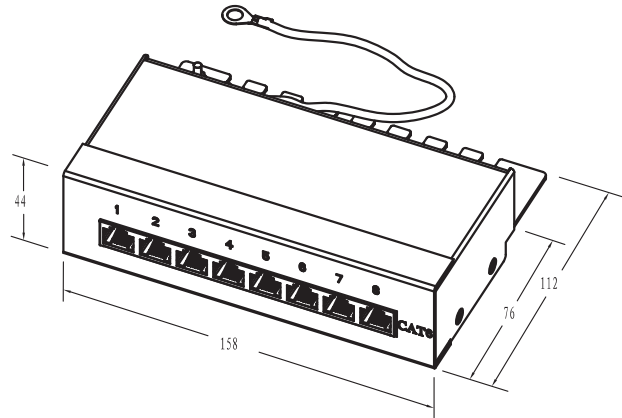


CAT.6 8 PORT VERTICAL PATCH PANEL (FTP)

REVISION RECORD			
REV.	CONTENT	MOD.	DATE
△	NEW PUBLISHING		



Performance:

Meets Cat.6 EIA/TIA568B.2-1 Standard.

Materials:

Bottom Panel: 1.5mm thickness Metallic Panel(SECC)/RAL7035

Upper Panel Cover: 1.0mm thickness Metallic Panel(SECC)/RAL7035

RJ45 Jack Shielded Case: 0.25mm thickness Brass with Ni plated

RJ45 Jack Housing: Fireproof PBT UL-94V0

RJ45 Jack Insert: Housing-Fireproof PBT UL-94V0

Contact-8P8C Phosphor bronze with 3 to 50 u" gold plated

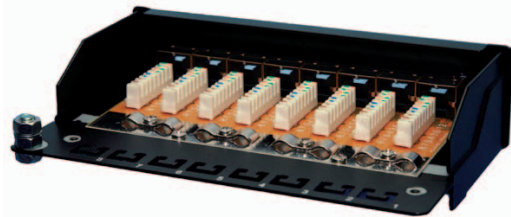
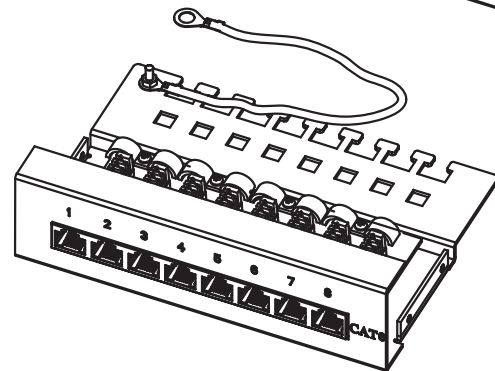
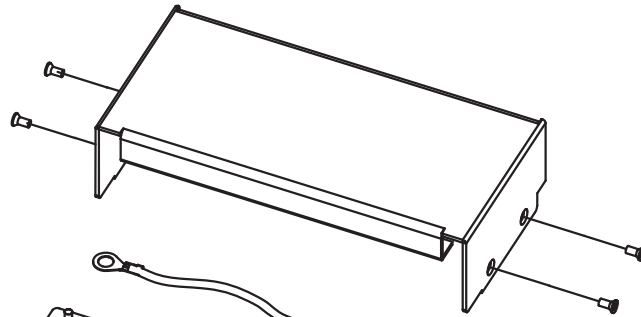
PCB: FR-4/1.6mm UL-94V0

IDC: Body- Fireproof ABS UL-94V0

Pin: Phosphor Bronze & Tinned

Label Color Code: T568 A/B

IDC Terminal: For 22-26 AWG Cable



Electrical Specifications:

Insulation Resistance: 500M ohms (min.)

Contact Resistance: 20m ohms (max.)

Current Rating: 1.5 Amps.

DC Resistance: 0.1 ohms(max.)

Withstanding Voltage: 1000 VAC RMS @ 60Hz/ 1 min.

Accessory:

1.M3 Screw Set, For Pre-Assembled Ground Wire

2.Cable Tie(60X2.5mm)X8Pcs

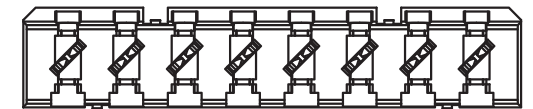
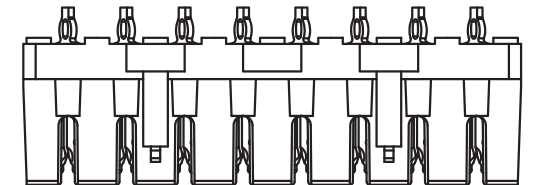
3.Instruction Sheet

Mechanical Specifications:

IDC Punch Down Cycle: Over 25 Cycles (min.)

RJ45 Jack Insertion Cycle: Over 200 Cycles (min.)

IDC:



0.	CAT.6 PATCH PANEL	NP0016A	1			
NO.	NAME OF PART	NO. OF PART	QTY	MATERIAL	NOTES	
DES.	HF	DATE	08/09/15	UNITS	mm	FIRST ANGLE PROJECTION
CHK.		DATE		SIZE	A4	SHEET
APP.		DATE		SCALE	2:3	DWG NO. 1 of 1
LogiLink®					TITLE	CAT.6 PATCH PANEL